

# Technical data sheet

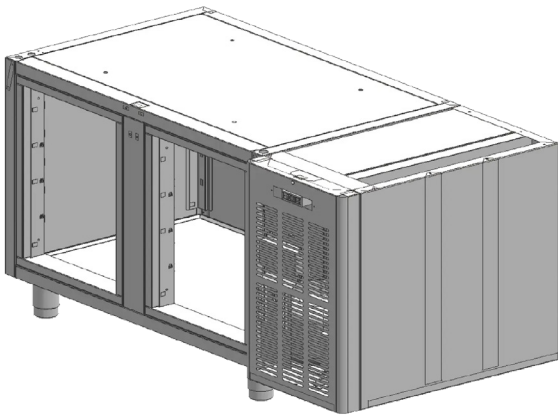
Product features



## Box SCH 2D cooling counter stainless steel

<b>Model</b>	<b>SAP Code</b>	00006518
--------------	-----------------	----------

– Material: Stainless steel



<b>SAP Code</b>	00006518	<b>Net Height [mm]</b>	1050
<b>Net Width [mm]</b>	800	<b>Net Weight [kg]</b>	70.00
<b>Net Depth [mm]</b>	1480		

# Technical data sheet

Technical drawing

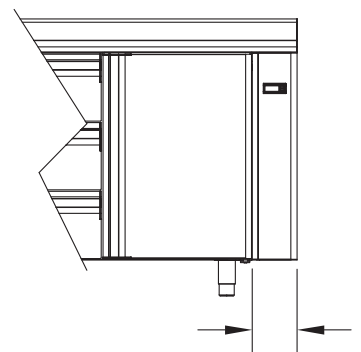
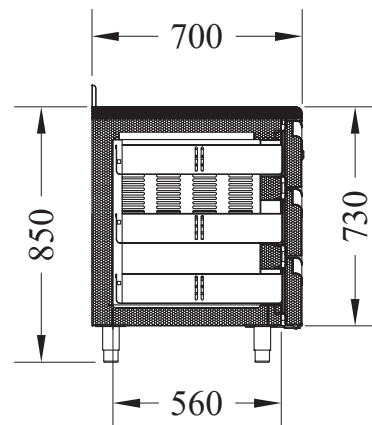
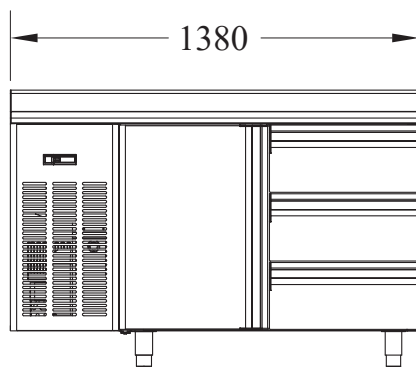
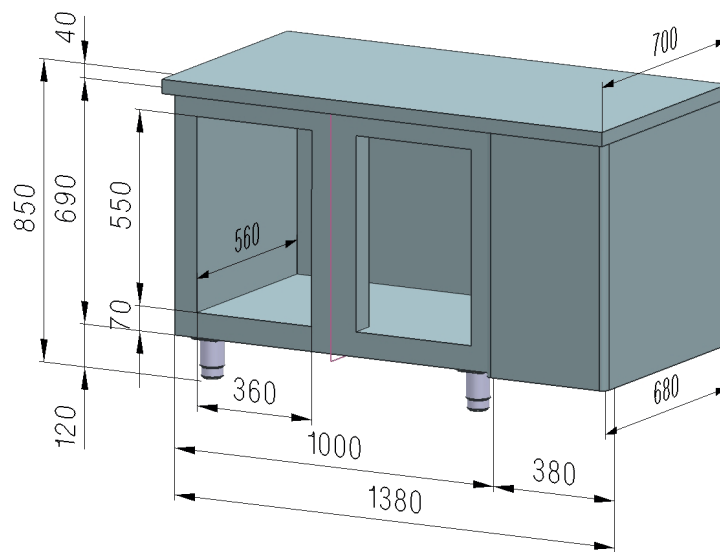


## Box SCH 2D cooling counter stainless steel

Model

SAP Code

00006518



# Technical data sheet

Technical parameters



## Box SCH 2D cooling counter stainless steel

**Model**

**SAP Code**

00006518

**1. SAP Code:**

00006518

**7. Gross depth [mm]:**

1480

**2. Net Width [mm]:**

800

**8. Gross Height [mm]:**

1050

**3. Net Depth [mm]:**

1480

**9. Gross Weight [kg]:**

80.00

**4. Net Height [mm]:**

1050

**10. Material:**

Stainless steel

**5. Net Weight [kg]:**

70.00

**11. Gross Volume [m3]:**

1.243

**6. Gross Width [mm]:**

800

**12. Net Volume [m3]:**

1.243